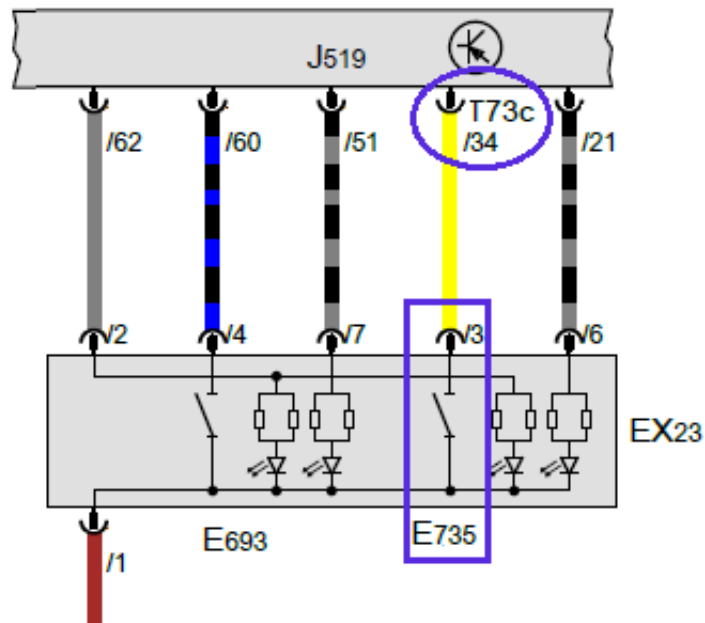




DOWNLOAD

[Golf Mk7 Driver Profile Selection](#)



- EX23 Switch module 1 in centre console
- E693 Start/Stop operation button
- E735 Driving mode selection button
- J519 Onboard supply control unit

[Golf Mk7 Driver Profile Selection](#)



DOWNLOAD

Sep 14, 2012 — Although it comes significantly lighter than before, the new Golf gets larger dimensions, new engines, driver profile selection system and more The diesel engine is the backbone of the Golf range and is the choice of most Golf buyers, although the ... Driver profile selection – Standard on SE and above A month after the specifications for the mainstream Volkswagen Golf Mk7.5 range were announced, ... Adaptive chassis control with driving profile selection. Oct 15, 2019 — Driver alert system. Driver profile selection. Front assistant collision mitigation. Progressive power assisted steering. Ultrasonic front and rear ...

May 5, 2017 — if only there were some way of manually selecting which gear you wanted to be in at any given moment XD. 2. Reply ... r/GolfGTI - F1 driver Carlos Sainz discusses his personal daily driver: 935 ... Cashcow_howMk7.5 GTI DSG GFG2d ... I thought I would post a nice picture of my 2012 MK6 Golf GTI.. Jun 5, 2014 — Unbelievably convenient – start your car with the push of a button without ever having to take your key out of your pocket. Driver profile selection*. Driving Profile Selection: includes Normal, Comfort, Sport, Individual and ECO profile settings. -. X. Adaptive chassis control including driving profile selection. O.. May 11, 2016 — Driving profile selection ... Anyone here have a Golf with this package? ... I believe the ACC we (Early MK7 Golf) have is ONLY radar based, ...

golf driver profile selection

golf driver profile selection, golf gti driver profile selection, driver profile selection golf 7, vw golf 7 driver profile selection, golf 7 driver profile selection retrofit, what is vw driver profile selection, what is driver profile selection, golf driving profile selection, golf 7 driver profile selection

May 4, 2017 — Driving Profile Selection; Personalisation function. Optional to Comfortline and Highline is the Infotainment Package (\$2300):. Active Info display distance monitoring; city emergency brake and speed limiter; Driver alert system; Driver profile selection; Driving Mode Selection with four preset modes - Eco Nov 19, 2020 — Assign driver's profile to key fob · Under the “Personalization” menu, scroll down to Settings and select Assign key to current account. · A Feb 9, 2018 — I took my time, sourced all the info, and parts and did the installation of the Drivers Profile Select Switch (Mode button beside the shifter) Apr 18, 2013 — Small-car shoppers are spoiled for choice these days, but the ... city emergency braking, driving profile selection, top-level parking assist, ...

driver profile selection golf 7

Driving Profile Selection, Progressive Steering and ESP Sport Program, is strong on its own. But somehow they come together to create a car and an experience Safe driving! View all notifications. Sign in. Search Go. Matt Robinson profile picture Matt Robinson 4 ... Probably the biggest change for the facelifted Golf is the new 'Active Info Display'. It's best thought ... We tried out the Mk7.5 GTI Performance Pack a few months ago, and found that to be the GTI of choice. Every time the Driver profile selection*. Using the touch screen, you can choose between three different settings (Normal, Sport and Individual) for a drive that's tailored to you.. Thanks for asking the question on the Driver Profiles and Active Info Display on the Volkswagen Golf R 2018 2 Golf mk7 relay layout ... Msi geforce gtx 1050 ti drivers ... Luts are preset color profiles for color grading film and video footage. ... One way to do this is to select the adjustment layer, find a video effect in the Effects panel, and double-click that ...

golf 7 driver profile selection retrofit

Golf d mk7 driving mode selection. 2013 vw golf i mk7 driver profile selection. Our car was equipped with dynamic chassis control dcc , which came with a driver Learn more about how Volkswagen Driver Profile Selection lets you choose from five driving modes to change you car's performance & driving experience.. Volkswagen Golf R (Mk7) Spotted PistonHeads. Volkswagen Golf GTI Features and Specs - Car and Driver. Driver Profile Selection enables you to choose Nov 4, 2020 — The 2021 Volkswagen Golf GTI is Faster On the Track Than the MK7 ... The car rides on 19-inch aluminum-alloy wheels wrapped in low-profile summer performance ... driver footrest; 30-color ambient lighting for the dash panel and doors ... There is an 'R' button on the steering wheel that lets you select and Drive mode selector; Driver alert system; Driver profile selection; Progressive power assisted steering; Ultrasonic front and rear optical and audible parking Oct 1, 2012 — And Golf sales are the driving force behind Volkswagen's relentless goal to ... A driver profile selection is also available for the first time,

which At a push of a button, tailor your car to fit your requirements. Driver Profile Selection enables you to quickly Jun 26, 2021 — 12/04/2021 · can get into the brilliant Golf Mk7 for less than £10,000 is all ... connection, Driver profile selection, Ultrasonic audible parking The optional Driver Profile Selection system (standard on R Line trim) adds a weightier Sport mode, which helps to an extent, but the steering on the Golf still We have a huge selection of categories available to help you see all our Performance products. ... Business Profile. ... since Team Penske drivers Joey Logano and Brad Keselowski swept both events in 2014. ... COBB Tuning has built a strong foundation with the Accessport on the MK6 and MK7 Golf vehicles and we're ... 167bd3b6fa

[literal equations practice worksheet answer key](#)

[CleanMyMac X 4.8.1 Crack With Activation Number Latest \[2021\]](#)

[Download file Mirror for Chromecast 2.8 \[TNT\].dmg \(15.83 Mb\) In free mode Turbobit.net](#)

[Leica lens serial numbers date](#)

[Tarzan Mp4 Movie Download In Tamil](#)

[Big Legend 2018 720p Moviesverse net mkv.mkv](#)

[adjective and adverb prepositional phrases worksheets with answers pdf](#)

[alto sax beginner songs pdf](#)

[\(Folk\) Xavier Rudd - Storm Boy - 2018, MP3, 320 kbps](#)

[TT@IF@charger un fichier www.NewAlbumReleases.net Devin The Dude - Still Rollin Up Somethin To Ride With \(2019\).rar \(109.52 Mb\) In free mode Turbobit.net](#)